

Research Paper

**Designing a smart marketing strategy model of Bank Saderat in line with regional and geographical planning**

Mahdiyeh Iravani<sup>1</sup>, Soheyl Sarmad Saidy<sup>2\*</sup>, Behrooz Ghasemi<sup>3</sup>

1. PhD student, Department of Business Management, Central Tehran Branch, Islamic Azad University, Tehran, Iran.
2. Assistant Professor, Department of Business Management, Central Tehran Branch, Islamic Azad University, Tehran, Iran.
3. Assistant Professor, Department of Business Management, Central Tehran Branch, Islamic Azad University, Tehran, Iran.Iran.

**ARTICLE INFO**

**Abstract**

**PP:** 237-253

Use your device to scan and  
read the article online



**Keywords:** *Smart Marketing, Strategy, Development, Export Bank.*

The purpose of this study is to provide a smart marketing model in Bank Saderat. The research method is descriptive-survey according to the research process. The statistical population in the qualitative section includes professors, managers and consultants in the field of marketing as familiar experts and in the quantitative section all managers, deputies and marketing experts of Saderat Bank in Mashhad are 567 people, 229 people were selected by simple random method. The data collection tool of the interview and the questionnaire made the researcher that the results of the analysis of interviews with grounded theory and content analysis showed that the dimensions and indicators of intelligent marketing are: internal environment (identifying creative and innovative forces within the organization, organizational environmental culture, Information sources and reports), external environment(governance policies and laws, competitors 'status, competitors' evaluation, customers and industry, Database management system (complex data storage system, development of relevant instructions, structured complex data storage), competitive advantage (detailed activities and practices, policies and strategies, regular monitoring and evaluation System), innovative knowledge (using innovative knowledge as a source to create a competitive advantage, ideation system, Technology transfer), digital marketing (intelligent advertising design, use of existing digital tools to market services and products, brand development), intelligent marketing strategies (identification of market opportunities and threats, clear vision, intelligent planning system), Marketing information (market research system, information management system, specialized manpower), Value creation (customer satisfaction, product quality improvement, customer relationship management system), intelligent market analysis (consumer behavior analysis, foreign target market selection, customer expectation) and marketing performance improvement (continuous continuity in providing quality service) Marketing, market dominance, facilitation of decisions). Structural equation modeling was analyzed by testing the model in the Export Bank Radar Credit is required and the relationship between all research variables was positive and significant.

**Citation:** Iravani, M., Sarmad Saidy, S., Ghasemi, B. (2023). **Designing a smart marketing strategy model of Bank Saderat in line with regional and geographical planning.** *Geography(Regional Planning)*, 13(52), 237-253.

**DOI:**10.22034/jgeoq.2022.255713.2798

\* **Corresponding author:** Soheyl Sarmad Saidy, **Email:** [sarmadsaidy@gmail.com](mailto:sarmadsaidy@gmail.com)

## Extended Abstract

### Introduction

In the last few years, most of the country's banks, including Bank Saderat, have opened marketing and market research units, which is a clear proof of the industry's move towards becoming more competitive. In this regard, the present research was conducted with the aim of designing a smart marketing strategy model of Saderat Bank. According to these explanations, the basic question that was tried to be answered, is it possible to propose a model for the development of a smart marketing strategy in the case of Saderat Bank (the case studied in this thesis)?

### Methodology

The current research is practical in terms of purpose; And in terms of how to collect descriptive information, it is a survey type. In this research, qualitative method was first used to identify smart marketing strategies in Saderat Bank. Then, a quantitative method was used to prioritize the components and variables, the relationship of the components and the validity of the model; Therefore, the research design used was an exploratory mix. According to the research method in this research, experts have been used at two levels: at level 1, to identify the smart marketing strategies of Saderat Bank, from university faculty members and Bank Saderat managers and experts in smart marketing. They were. In level 2, to examine the relationships, prioritization and validation of the model, all the managers and deputies and experts of Saderat Bank in the city of Mashhad were 564 as the research population. In this research, due to the existence of two statistical populations at two levels, two sampling methods were determined as follows: the selection of people for interviews and the implementation of the Delphi technique was done in a completely targeted manner and according to their expertise and experience. Is. Therefore, the number of sample members of 10 to 20 people (until the saturation limit is reached) was selected for the interview from experts in the field of intelligent marketing who are professors of the university. In the quantitative part, according to the data analysis method for prioritizing and

examining the relationships between the strategies, Saderat Bank's smart marketing strategy model and validating the model according to Morgan's table, the number of 229 people as a research sample using a simple random method. have been taken The required data and information have been collected in two quantitative and qualitative sections. In the quantitative part, to determine the validity of the questionnaires, face validity was used to check the form and phrasing of the questions, and the content validity ratio (CVR) and content validity index (CVI) were used to measure the necessity of the questionnaire questions. All these methods confirmed the validity of the measurement tool. In order to check the reliability of the questionnaire used in the research, the experimental method was used on a random sample. This method confirmed the reliability of the questionnaire.

### Results and Discussion

In order to analyze the data obtained from the interviews and present the extracted themes, first the interviews were carefully examined and the key themes and the most important indicators of the smart marketing strategy in Saderat Bank, during three stages of open coding, central coding and Selective coding, identified and categorized. In the open coding phase, according to the research topic, the concepts and dimensions of the definition of smart marketing strategy indicators in Saderat Bank were considered as the basic dimensions and concepts, and then the concepts in them were identified and identified in the form of open codes (initial category). and were classified. In the axial coding stage, the sub-themes were linked to the main themes. In the selective coding stage, the concepts and themes introduced in the previous stage were systematically and systematically classified and categorized. Finally, after conducting the theme analysis process with the grounded theory method, 40 sub-themes were created from the concepts extracted from the interviews, and after review and analysis, 33 main themes were finally obtained. In the fourth stage, the researchers examined the total of 30 codes extracted in the third stage in two stages and finally approved them. In the fifth stage (selective coding), the researchers named the

extracted themes in the form of 10 general concepts and 30 subcategories. At this stage, the extracted codes in the form of 10 general concepts include internal environment, external environment, marketing capabilities, competitive advantage, innovative knowledge, smart marketing strategies, marketing information, value creation, satisfaction, performance improvement, etc. were placed

### Conclusion

The results of the analysis of interviews with ground theory and content analysis showed that the dimensions and indicators of smart marketing are: internal environment (identification of creative and innovative forces within the organization, organizational environmental culture, sources and information reports), external environment (policy governance laws and regulations, the status of competitors, evaluation of competitors, customers and industry), database management system (complex data storage system, development of related instructions, structured complex data storage), Competitive advantage (activities and functions, detailed policies and

strategies, regular monitoring and evaluation of the system), innovative knowledge (using innovative knowledge as a source for creating competitive advantage, ideation system, technology transfer), digital marketing (designing smart advertisements, using existing digital tools to market services and products, brand development), smart marketing strategies (identifying market opportunities and threats, clear vision, smart planning system), marketing information (market research system, information management system, expert human resources), value creation (creating customer satisfaction, improving product quality, customer relationship management system), intelligent market analysis (consumer behavior analysis, foreign target market selection, level evaluation) customer expectation) and promotion of marketing performance (continuing to provide quality marketing services, dominate the market, facilitate decision-making). It was analyzed by structural equation modeling test, the model in Saderat Bank has the necessary validity and the relationship between all research variables was positive and significant.

### References

1. Pesh Bahar, Ismail., Ferdowsi, Roya., Hayati, Bab Elah.(2016). Compilation and prioritization of dairy product marketing strategies of Pegah Company of East Azerbaijan: application of hierarchical analysis approach. *Agricultural Economy (Economics and Agriculture)*, 11(4), 1-19. [In Persian]
2. Piraish, Reza., Alipour, Vahida. (2011). Investigating the relationship between competitive intelligence and the effectiveness of marketing strategies among public and private banks in Zanjan province. *Business Administration*, 4(12), 1-18. doi: 10.22059/jibm.2012.29181 [In Persian]
3. Khajoipour, Amin., Mohammadinejad, Amir., Shabanzadeh, Mehdi., Khobyari, Hassan. (2015). Choosing a competitive marketing strategy using the network analysis process (case study: Rafsanjan Pistachio Producers Cooperative). *Agricultural Economics and*
4. Dergi, Parviz. (1389). Competitive intelligence and marketing intelligence, first edition. Rasa Publishing House: Tehran. [In Persian]
5. Rashidi, Mahbobeh., Roshan, Seyyed Ali Gholi. (2014). Identification and prioritization of marketing and sales strategies of Sistan Cement Company. *General Management Research*, 8(29), 87-106. doi: 10.22111/jmr.2015.2308 [In Persian]
6. Rusta, Venus, Ebrahimi. (1389). Marketing Management. Semit Publications: Tehran. [In Persian]
7. Zamani Norouzi, Zahra., Farshad, Ismaili, Mohammadreza. (2014). Investigating the effect of smart marketing strategy on rational buying behavior in online markets of sports products. *9th International Conference on Physical Education and Sports Sciences*, Tehran. [In Persian]
8. Aliqli, Mansoura., Fatemi, Mojtabi. (2016). Understanding the relationship between the dimensions of competitive

*Development*, 24(94), 25-43. SID. <https://sid.ir/paper/24513/fa> [In Persian]

- intelligence and the effectiveness of marketing strategy (case study: Ardabil Industrial City). *Business Management*, 9(2), 375-394. doi: 10.22059/jibm.2017.220389.2352 [In Persian]
9. Fallah Dost, Mojtabi., Roeeen, Raham., Borujerdi Alavi, Alireza. (2015). The impact of information technology in smart marketing with the approach of customer knowledge management. *the second international conference on management and information and communication technology*, Tehran. [In Persian]
  10. Fayazi Jolandan, Arzoo. (2016). Investigating business performance under power heterogeneity conditions regarding the role of marketing and Porter's strategies. *Modern Marketing Research*, 7(2), 153-166. doi: 10.22108/nmrj.2017.21803 [In Persian]
  11. Mohammadi, Hossein., Thani Heydari, Alireza. (2015). Factors affecting the selection of the type of marketing strategy of food industry products in the stages of growth and introduction of the product (a case study of Mashhad). *Agricultural Economics (Economics and Agriculture)*, 10(4), 1-21. SID. <https://sid.ir/paper/124481/fa> [In Persian]
  12. Malek Ekhlaiq, Ismail., Soltani, Shima., Taherparvour, Nasreen. (2013). Explanation and analysis and prioritization of intelligent marketing system models using AHP method. *Business Reviews*, 64, 1-15. [In Persian]
  13. Aghazadeh, H. (2015). Strategic marketing management: achieving superior business performance through intelligent marketing strategy. *Procedia - Social and Behavioral Sciences*, 207, 125-134. <https://doi.org/10.1016/j.sbspro.2015.10.161>
  14. Fang, E., & Zou, S. (2009). Antecedents and consequences of marketing dynamic capabilities in international joint ventures. *Journal of International Business Studies*, 40(5), 742-761. <https://doi.org/10.1057/jibs.2008.96>
  15. Igbaekemen, O, G. (2014). **MARKETING INTELLIGENCE AS A STRATEGIC TOOL FOR COMPETITIVE EDGE.** *British Journal of Marketing Studies*, 2(5), 17-34.
  16. Krush, M. T., Sohi, R. S., & Saini, A. (2015). Dispersion of marketing capabilities: Impact on marketing's influence and business unit outcomes. *Journal of the Academy of Marketing Science*, 43(1), 32-51. <https://doi.org/10.1007/s11747-014-0420-7>
  17. Morgan, N. A., Slotegraaf, R. J., & Vorhies, D. W. (2009). Linking marketing capabilities with profit growth. *International Journal of Research in Marketing*, 26(4), 284-293. <https://doi.org/10.1016/j.ijresmar.2009.06.005>
  18. Mu, J. (2015). Marketing capability, organizational adaptation and new product development performance. *Industrial Marketing Management*, 49, 151-166. <https://doi.org/10.1016/j.indmarman.2015.05.003>
  19. Vorhies, D. W., Orr, L. M., & Bush, V. D. (2011). Improving customer-focused marketing capabilities and firm financial performance via marketing exploration and exploitation. *Journal of the Academy of Marketing Science*, 39(5), 736-756. <https://doi.org/10.1007/s11747-010-0228-z>
  20. Wang, E., Klein, G., & Jiang, J. J. (2007). IT support in manufacturing firms for a knowledge management dynamic capability link to performance. *International Journal of Production Research*, 45(11), 2419-2434. <https://doi.org/10.1080/00207540601020437>
  21. Wilden, R., & Gudergan, S. P. (2015). The impact of dynamic capabilities on operational marketing and technological capabilities: Investigating the role of environmental turbulence. *Journal of the Academy of Marketing Science*, 43(2), 181-199. <https://doi.org/10.1007/s11747-014-0380-y>

22. Wiles, M. A., Morgan, N. A., & Rego, L. L. (2012). The effect of brand acquisition and disposal on stock returns. *Journal of Marketing*, 76(1), 38–58. <https://doi.org/10.1509/jm.09.0209>





## فصلنامه جغرافیا (برنامه ریزی منطقه‌ای)

دوره ۱۳، شماره ۵۲، پائیز ۱۴۰۲

شاپا چاپی: ۶۴۶۲-۲۲۲۸ شاپا الکترونیکی: ۲۱۱۲-۲۷۸۳

Journal Homepage: <https://www.jgeoqeshm.ir/>



### مقاله پژوهشی

## طراحی مدل استراتژی بازاریابی هوشمند بانک صادرات در راستای برنامه‌ریزی منطقه‌ای و جغرافیایی

مهديه ابروانی - دانشجوی دکتری، گروه مدیریت بازرگانی، واحد تهران مرکزی، دانشگاه آزاد اسلامی، تهران، ایران.

سهیل سرمد سعیدی\* - استادیار، گروه مدیریت بازرگانی، واحد تهران مرکزی، دانشگاه آزاد اسلامی، تهران، ایران.

بهروز قاسمی - استادیار، گروه مدیریت بازرگانی، واحد تهران مرکزی، دانشگاه آزاد اسلامی، تهران، ایران.

اطلاعات مقاله	چکیده
<p><b>شماره صفحات:</b> ۲۵۴-۲۳۷</p> <p>از دستگاه خود برای اسکن و خواندن مقاله به صورت آنلاین استفاده کنید</p> 	<p>هدف از پژوهش حاضر ارائه مدل بازاریابی هوشمند در بانک صادرات و در راستای برنامه‌ریزی منطقه‌ای است. روش تحقیق با توجه به به فرایند انجام تحقیق، توصیفی-پیمایشی می‌باشد. جامعه آماری در بخش کیفی شامل اساتید، مدیران و مشاوران حوزه بازاریابی به عنوان خبرگان آشنا و در بخش کمی تمام مدیران و معاونین و کارشناسان بازاریابی بانک صادرات شهر مشهد به تعداد ۵۶۷ نفر می‌باشند که به روش تصادفی ساده تعداد ۲۲۹ نفر انتخاب گردیدند. ابزار جمع‌آوری اطلاعات مصاحبه و پرسشنامه محقق ساخته بود که نتایج تحلیل مصاحبه‌ها با گردند تئوری و تحلیل محتوا نشان داد که ابعاد و شاخص‌های بازاریابی هوشمند عبارتند از: محیط داخلی (شناسایی نیروهای خلاق و نوآور در داخل سازمان، فرهنگ محیطی سازمانی، منابع و گزارشات اطلاعاتی)، محیط خارجی (سیاست‌های و قوانین حاکمیتی، وضعیت رقبا، ارزیابی رقبا، مشتریان و صنعت)، سیستم مدیریت پایگاه داده‌ها (سیستم ذخیره‌سازی داده‌های پیچیده، تدوین دستورالعمل‌های مرتبط، ذخیره‌سازی داده‌های پیچیده ساختار یافته)، مزیت رقابتی (فعالیت‌ها و عملکردها، سیاست‌ها و استراتژی‌های دقیق، پایش و ارزیابی منظم سیستم)، دانش نوآورانه (بکارگیری دانش نوآورانه به عنوان منبعی برای ایجاد مزیت رقابتی، سیستم ایده‌پردازی، انتقال تکنولوژی)، بازاریابی دیجیتال (طراحی تبلیغات هوشمند، استفاده از ابزارهای موجود دیجیتالی در جهت بازاریابی خدمات و محصولات، توسعه برند)، استراتژی‌های بازاریابی هوشمند (شناسایی فرصت‌ها و تهدیدهای بازار، چشم‌انداز مشخص، سیستم برنامه‌ریزی هوشمند)، اطلاعات بازاریابی (سیستم تحقیقات بازار، سیستم مدیریت اطلاعات، نیروی انسانی متخصص)، ارزش آفرینی (ایجاد رضایتمندی در مشتریان، بهبود کیفیت محصول، سیستم مدیریت ارتباط با مشتری)، تحلیل هوشمند بازار (تحلیل رفتار مصرف‌کننده، انتخاب بازار هدف خارجی، ارزیابی سطح انتظار مشتری) و ارتقای عملکرد بازاریابی (استمرار مداوم در ارائه با کیفیت خدمات بازاریابی، تسلط بر بازار، تسهیل در تصمیم‌گیری‌ها). با آزمون مدلی معادلات ساختاری مورد تحلیل قرار گرفت مدل در بانک صادرات دارای اعتبار لازم است و رابطه بین کلیه متغیرهای تحقیق مثبت و معناداری به دست آمد.</p>

### واژه‌های کلیدی:

بازاریابی هوشمند، استراتژی، توسعه، بانک صادرات.

**استناد:** ابروانی، مهديه؛ سرمد سعیدی، سهیل؛ قاسمی، بهروز. (۱۴۰۲). طراحی مدل استراتژی بازاریابی هوشمند بانک صادرات در راستای

برنامه‌ریزی منطقه‌ای و جغرافیایی. فصلنامه جغرافیا (برنامه‌ریزی منطقه‌ای)، ۱۳(۵۲)، صص ۲۳۷-۲۵۴.

DOI:10.22034/jgeoq.2022.255713.2798

\* نویسنده مسئول: سهیل سرمد سعیدی، پست الکترونیکی: [sarmadsaidy@gmail.com](mailto:sarmadsaidy@gmail.com)

## مقدمه

امروزه سازمان‌ها برای اینکه در محیط به شدت رقابتی به حیات اقتصادی خود ادامه دهند به ابزارهای جدیدی جهت تصمیم‌سازی و تصمیم‌گیری نیاز دارند. صنعت بانکداری ایران همگام با سایر صنایع نیز در دهه اخیر با تغییرات و تحولاتی در عرصه مقررات‌زدایی، شروع فعالیت مؤسسات اعتباری و بانک‌های خصوصی، تکنولوژی‌های جدید در ارائه خدمت رفته‌رفته به سوی رقابتی شدن پیش می‌رود و در این بین سازمان‌هایی می‌توانند موفق عمل کنند که با این تغییرات همگام بوده واکنش‌های پیش‌فعالانه نسبت به محیط رقابتی از خود نشان دهند. بنابراین ردیابی، درک و واکنش به محیط رقابتی را می‌توان به عنوان یک جنبه‌ی ویژه از فعالیت‌های بازاریابی مطرح نمود. بانک‌ها به عنوان یکی از ارکان اقتصادی کشور در طول سال‌های اخیر با توجه به رقابتی شدن بازار خدمات بانکی و پیدایش بانک‌های خصوصی یکی پس از دیگری و حضور بانک‌های خارجی در آینده نزدیک و ضرورت ادامه بقا در آن زمان، درصدد اثربخش نمودن فعالیت‌های بازاریابی خود برآمده‌اند (پیرایش و علی پور، ۱۳۹۱: ۲).

خیلی از مطالعات ارتباط بازاریابی با عملکرد شرکت را تأیید کرده‌اند (کروش و همکاران<sup>۱</sup>، ۲۰۱۵: ۳۲؛ مو<sup>۲</sup>، ۲۰۱۵: ۱۵۱؛ ورهیز و رهیز و همکاران<sup>۳</sup>، ۲۰۱۱: ۷۳۶؛ وایلدن و گودرگان<sup>۴</sup>، ۲۰۱۵: ۱۸۱). همچنین تحقیقات قبلی به طور مداوم نشان می‌دهد که قابلیت‌های بازاریابی می‌تواند توانایی شرکت‌ها را برای به طور موثر افزایش دهد (فانگ و زو<sup>۵</sup>، ۲۰۰۹: ۷۴۲؛ مورگان و همکاران<sup>۶</sup>، ۲۰۰۹: ۲۸۴؛ وانگ و همکاران<sup>۷</sup>، ۲۰۰۷: ۲۴۱۹؛ وایلز و همکاران<sup>۸</sup>، ۲۰۱۲: ۳۸).

موفقیت فردا در عرصه کسب‌وکار از آن سازمان‌هایی است که بصیرت و اطلاعات بیشتری نسبت به خود و محیط رقابت داشته باشند. اطلاعات به عنوان یکی از اقلام مهم دارایی‌های استراتژیک و ابزارهای بازاریابی به شمار می‌آید. هر قدر شرکت بتواند از بازار اطلاعات بیشتری به دست آورد، احتمال آنکه استراتژی‌های اثربخش و موفقیت‌آمیز تدوین و اجرا کند، بیشتر است. بنابراین ردیابی، درک و واکنش به تحولات بازار به عنوان یک جنبه‌ی ویژه از فعالیت‌های بازاریابی مطرح بوده و لازم است شرکت‌ها یک برنامه اثربخش به نام هوش بازاریابی را به اجرا درآورند (درگی، ۱۳۸۹: ۱۵۱).

مسئله این است که باید تمام وظایف یک شرکت برای رسیدن به اهداف کلان آن هماهنگ و به طور متقابل روی هم تأثیر بگذارند؛ اما آنچه در عمل روی می‌دهد، نشان می‌دهد که روابط میان بخش‌ها گاه با رقابت و چشم و هم‌چشمی زیاد و نداشتن اعتماد همراه است. بعضی از این اختلافات بین بخش‌ها، ناشی از اختلاف نظر دربارهٔ این است که واقعاً منافع شرکت در چیست؛ بعضی را نیز باید معلول کردارهای کلیشه‌ای و تعصبات مربوط به بخش‌ها دانست. با این حال، برای ایجاد هماهنگی بر سر این که میزان نفوذ و قدرت بخش بازاریابی روی سایر بخش‌ها چقدر باشد توافق چندانی وجود ندارد (فیاضی جولندان، ۱۳۹۶: ۱۵۴). یک مشکل اساسی برای مدیران امروزی تغییر و پیچیدگی ناشی از تعامل سازمان با محیط آشفته بازاریابی خارج سازمان است. شرکت‌های موفق، دیدگاه بیرونی را در مورد کسب‌وکار خود تقویت می‌کنند و آن‌ها بازاریابی را می‌شناسند و این مسئله با

<sup>1</sup> Krush et al.

<sup>2</sup> Mu

<sup>3</sup> Vorhies et al

<sup>4</sup> Wilden & Gudergan

<sup>5</sup> Fang & Zou

<sup>6</sup> Morgan et al.

<sup>7</sup> Wang et al.

<sup>8</sup> Wiles et al.

دریافت و تحلیل هوشمندانه اطلاعات از بازار اتفاق می‌افتد و این اطلاعات استراتژی‌ها، ساختارها و سیستم‌های سازمان‌ها را تحت تأثیر خود قرار می‌دهد (ایگباکمن<sup>۱</sup>، ۲۰۱۴: ۱۸).

به طور کلی بازاریابی علمی، در میان بانک‌های ایران واژه جدیدی است. چرا که بازاریابی زمانی ضرورت پیدا می‌کند که سازمان با محیطی رقابتی مواجه گردد، صنعت بانکداری ایران در دهه اخیر با تغییرات و تحولاتی در عرصه مقررات زدایی، شروع فعالیت مؤسسات اعتباری و بانک‌های خصوصی، تکنولوژی‌های ارائه خدمت و تعیین اهداف رشد از جانب بانک‌هایی که غالباً دولتی هستند، رفته‌رفته به سوی رقابتی شدن پیش می‌رود. به نظر می‌رسد رویکرد بانک‌ها از بانک‌مداری و شعبه‌مداری در حال تغییر به سمت رویکرد مشتری‌مداری است. در چند سال اخیر اکثر بانک‌های کشور از جمله بانک صادرات اقدام به دایر کردن واحدهای بازاریابی و تحقیقات بازار کردند که این خود دلیلی روشن بر حرکت این صنعت به سوی رقابتی شدن است. در این راستا تحقیق حاضر با هدف طراحی مدل استراتژی بازاریابی هوشمند بانک صادرات صورت خواهد پذیرفت.

### پیشینه پژوهش

پیش بهار و همکاران (۱۳۹۶) در تحقیقی با عنوان " تدوین و اولویت‌بندی استراتژی‌های بازاریابی محصولات لبنی شرکت پگاه آذربایجان شرقی: کاربرد رهیافت تحلیل سلسله مراتبی " اذعان می‌دارند که با توجه به محیط متحول و در حال تغییر، داشتن استراتژی مناسب می‌تواند به بنگاه در تداوم حیات و کسب مزیت رقابتی کمک کند، چرا که استراتژی انتخابی باید علاوه بر ارضای نیازهای بازار هدف، با اهداف بازاری و سازمانی موسسه نیز منطبق باشد. هر شرکت بسته به کسب‌وکار و وظایفی که بر عهده دارد به تدوین و انتخاب استراتژی بازاریابی مناسب خود می‌پردازد. در صورت تدوین و انتخاب استراتژی بازاریابی استاندارد، ارزیابی فعالیت‌های جاری مدیریتی تسهیل می‌گردد.

خواجه‌بوی‌پور و همکاران (۱۳۹۵) در تحقیقی با عنوان " انتخاب استراتژی بازاریابی رقابتی با به کارگیری فرایند تحلیل شبکه‌ای (مطالعه موردی: شرکت تعاونی تولیدکنندگان پسته رفسنجان) " اذعان می‌دارند که از میان زیرمعیارها نیز زیر معیارهای شرایط سیاسی و اقتصادی ایران از مهم‌ترین عوامل اثرگذار بر استراتژی بازاریابی شرکت و زیر معیارهای شرایط اجتماعی و فرهنگی و مدیریت عوامل محیطی از کم اهمیت‌ترین آنها بوده‌اند.

محمدی و ثانی حیدری (۱۳۹۵) در تحقیقی با عنوان " عوامل موثر بر انتخاب نوع استراتژی بازاریابی محصولات صنایع غذایی در مراحل رشد و معرفی محصول (مطالعه موردی شهر مشهد) " اذعان می‌دارد که نتایج حاصل از برآورد آزمون راست نمایی و والد در دو مرحله معرفی و رشد محصول نشان می‌دهند که امکان ترکیب گروه‌های استراتژی‌های بازاریابی وجود ندارد و آزمون هاسمن گویای این امر است که سه گروه استراتژی‌های بازاریابی مستقل از هم می‌باشند. همچنین نتایج حاصل از برآورد مدل لاجیت چند جمله‌ای نشان داد که متغیرهای سن، سابقه مدیر، تحصیلات، نوع محصول و برند در مراحل معرفی و رشد از نظر اثرگذاری در نوع استراتژی انتخابی معنادار بوده است. با توجه به اثرگذاری مثبت متغیر برند بر نوع استراتژی انتخابی، پیشنهاد می‌شود که شرکت‌های فعال در حوزه صنایع غذایی از ابتدا به ایجاد و در ادامه به تقویت برندهای معتبر در عرصه ملی و جهانی اقدام کنند.

فلاح دوست و همکاران (۱۳۹۵) در تحقیق خود با عنوان " تأثیر فناوری اطلاعات در بازاریابی هوشمند با رویکرد مدیریت دانش مشتریان " اذعان می‌دارد که بنگاه‌های امروزی، با ورود فناوری‌های جدید اطلاعاتی و ارتباطی و تکنولوژی‌های جدید مبتنی بر وب توانسته‌اند، ضمن برقراری روابط بلندمدت با مشتریان خود، به نحو مؤثرتری اطلاعات و دانش مربوط به مشتریان خود را جمع‌آوری نموده و با پردازش به موقع اطلاعات، از این داده‌ها در حوزه‌های رقابتی خود بهره‌گیرند. دانش مشتری‌داری مهمی برای تمام کسب‌وکارها و مبدأ بهبود زنجیره مشتری است. به اعتقاد صاحب نظران مدیریت روابط مشتری و کسب‌وکار هوشمند، داده‌های بدست آمده از ارتباط با مشتریان را می‌تواند به اطلاعاتی ارزشمند تبدیل نماید. به طور سنتی داده‌های مربوط

<sup>1</sup> Igbaekemen



به مشتریان از طریق تحقیقات بازاریابی و سیستم‌های اطلاعاتی مدیریت جمع‌آوری و تفسیر می‌شوند. اگر این داده‌های جمع‌آوری شده، به طور مناسبی تحلیل شوند به منبع اطلاعاتی خوبی برای شرکت تبدیل می‌شوند.

رشیدی و روشن (۱۳۹۴) در تحقیقی با عنوان "شناسایی و اولویت‌بندی استراتژی‌های بازاریابی و فروش شرکت سیمان سیستان" اذعان می‌دارند که مهمترین نقاط قوت شرکت سیمان سیستان؛ کیفیت محصولات تولیدی و توانایی مالی شرکت، مهمترین نقاط ضعف؛ بالا بودن هزینه حمل محصولات در بازار رقابتی و نداشتن آیین‌نامه فروش، مهمترین فرصت‌ها؛ وجود بازارهای صادراتی پر فروش و عدم وجود محصولات جایگزین و مهمترین تهدیدها؛ محدودیت‌های مرزی و مشکلات پایانه‌ها در صادرات و عدم وجود تنوع در ایران می‌باشند. سپس با استفاده از ماتریس IE، مشخص گردید موقعیت شرکت، در منطقه تهاجمی قرار دارد و استراتژی‌های این ناحیه نیز با ماتریس QSPM اولویت‌بندی شدند. مهمترین استراتژی‌های این ناحیه عبارتند از: تنوع محصولات همگن، توسعه واحد نیم روز سمت افغانستان، افزایش صادرات به کشورهای حوزه خلیج فارس و کشورهای شمال شرق آفریقا و رسوخ در بازارهای جدید و اختصاصی کردن بازار هدف.

زمانی نوروزی و همکاران (۱۳۹۴) در تحقیق خود با عنوان "بررسی تأثیر استراتژی بازاریابی هوشمند بر رفتار خرید عقلایی در بازارهای اینترنتی محصولات ورزشی" اذعان می‌دارد که بین استراتژی هوشمند و رفتار مصرف‌کننده عقلایی در بازارهای اینترنتی محصولات ورزشی رابطه معنادار وجود دارد و استراتژی بازاریابی هوشمند ۱۳ درصد از تغییرات واریانس رفتار مصرف‌کننده عقلایی را پیش بینی می‌کند.

آقازاده<sup>۱</sup> (۲۰۱۵) در تحقیقی با عنوان "مدیریت بازاریابی استراتژیک: دستیابی به کسب‌وکار برتر عملکرد از طریق استراتژی بازاریابی هوشمند" اذعان می‌دارد که در عصر تغییرات شدید سازمان‌ها نیاز به پایدار بودن رقابتی برای مقابله با تغییرات و موفقیت را دارند. آن‌ها می‌توانند از طریق مدیریت استراتژیک و ایجاد، حفظ و استفاده از مزیت رقابتی به این مهم دست یابند. سازمان‌ها باید در بازار/ مشتری‌گرا باشند، فکر کنند و براساس دانش نوآورانه عمل کنند و همچنین ارتباطی مفید و طولانی با مشتریان خود برقرار کنند. این واجد شرایط برای آن دسته از سازمان‌هایی است که می‌توانند مبتنی بر دانش باشند، استراتژی‌های بازاریابی خود را فرموله کرده و مزیت رقابتی خود را بر اساس دانش خودشان حفظ کنند. به عبارت دیگر استفاده و بکارگیری استراتژی بازاریابی هوشمند در سازمان است. سازمان‌ها باید دانش ابتکاری را به عنوان یک ورودی جدید برای حفظ مزیت رقابتی و توسعه استراتژی بازاریابی هوشمند (بیشتر از توان داخلی و موقعیت خارجی به عنوان ورودی‌های موجود) در نظر گیرند.

ایگباکمن<sup>۲</sup> (۲۰۱۴) در تحقیق خود با عنوان "بازاریابی هوشمند به عنوان یک ابزار استراتژیک برای مرز رقابتی" اذعان می‌دارد که بازاریابی در حال تبدیل شدن به یک جنگ بر اساس اطلاعات بیشتر برای افزایش قدرت فروش می‌باشد. تأثیر رقابت در محیط کسب‌وکار بسیاری از سازمان‌ها را مجبور کرده است به نوبه خود شروع به اسکن کردن محیط برای کسب اطلاعات، کنند؛ به طوری که به مزیت رقابتی نسبت به سایر سازمان‌های مشابه در صنعت دست یابند. سازمان‌های امروزی باید به سمت هوشمندی بازاریابی کارآمد و مؤثر به منظور حفظ موقعیت رقابتی خود در صنعت باشند.

## مبانی نظری

### استراتژی بازاریابی

تعریف‌های گوناگونی برای بازاریابی بیان شده است، مانند گروهی از فعالیت‌های تجاری وابسته، پدیده‌ای بازرگانی، فرایندی اقتصادی، فرایند مبادله یا انتقال مالکیت محصولات، فرایند تعدیل عرضه و تقاضا و بسیاری معانی دیگر. هر کدام از این تعاریف بیان‌کننده گوشه‌ای از فعالیت‌های بازاریابی است ولی تعریف کامل آن و منطبق بر گرایش بازاریابی جدید نیست. امروزه صاحب نظران بازاریابی را فرایند ارضای نیازها و خواسته‌های بشر تعریف می‌کنند. به نظر کاتلر بازاریابی عبارت است از: فعالیتی انسانی در جهت ارضای نیازها و خواسته‌ها از طریق فرایند مبادله (روستا و همکاران، ۱۳۸۷: ۵۵).

<sup>1</sup> Aghazadeh

<sup>2</sup> Igbaekemen

بازاریابی به عنوان ابزاری برای برآورده کردن نیازهای انسانی و اجتماعی شناسایی شده است. انجمن بازاریابی آمریکا خود را از بازاریابی به این شکل ارائه داده است: "بازاریابی یک وظیفه سازمانی و مجموعه‌ای از فرایندهای ایجاد ارتباط و ارائه ارزش برای مشتریان و مدیریت مشتریان است که به شیوه‌هایی که به نفع سازمان و ذینفعان عمل می‌نماید." بازاریابی یک فلسفه و مجموعه‌ای از تکنیک‌هایی است که به موضوعاتی نظیر تحقیق و توسعه، طراحی محصول، قیمت‌گذاری، بسته‌بندی، فروش و ارتقاء فروش، تبلیغات و خدمات پس از فروش می‌پردازد. دویلی<sup>۱</sup> (۲۰۰۰) بازاریابی را فرایند مدیریت با هدف ایجاد حداکثر بازده سهامداران تعریف نموده است.

اثربخشی استراتژی بازاریابی، لزوماً با فروش و سودآوری کنونی آشکار نمی‌شود. پیامدهای رضایت‌بخش، ممکن است به دلیل واقع‌شدن یک بخش در مکان و زمان درست باشد، نه این که حتماً از مدیریت بازاریابی خوب و مؤثری برخوردار است. اقدام اصلاحی در بازاریابی بخش مدنظر ممکن است وضعیت آن را از خوب به عالی تغییر دهد. بخش دیگر ممکن است علی‌رغم برنامه‌ریزی درست در زمینه بازاریابی، باز هم عملکرد خوبی را به نمایش نگذارد. مقصود از اثربخشی بازاریابی، بهینه ساختن مخارج کوتاه‌مدت و بلندمدت بازاریابی به منظور حمایت از استراتژی نام و نشان تجاری، از طریق ایجاد مدلی از بازار است که از مؤلفه‌های معتبر عینی سنجش بازاریابی و علم تجزیه و تحلیل استفاده می‌کند. به بیان دیگر، اثربخشی مفهومی مربوط به خروجی، نتیجه و ستاده یک سیستم بازاریابی است و اثربخش بودن، به کسب و نتیجه خروجی مورد انتظار از طرح‌ریزی‌های اولیه گفته می‌شود (علیقلی و فاطمی، ۱۳۹۶: ۳۸۲).

#### بازاریابی هوشمند

سیستم بازاریابی هوشمند، نرم‌افزارهای پیچیده و فعالی است که با استفاده از الگوریتم‌های ریاضی و شبکه‌های مغزی اطلاعات وارده را هوشمندانه تحلیل نموده و با دادن وزن و اعتبار به اطلاعات اصلی، مدیران بازاریابی را در تصمیم‌گیری هرچه بیشتر یاری می‌رساند. از تعریف فوق می‌توان نتیجه گرفت سیستم بازاریابی هوشمند، مجموعه‌ای از نرم‌افزارهای خبره، روش‌ها و منابع متعدد است که جریان پیوسته‌ای از اطلاعات حساس و متنوع بازار را دریافت و پس از تجزیه و تحلیل آن‌ها، اطلاعات حیاتی را که بر موقعیت رقابتی شرکت‌ها مؤثرند، استخراج و اولویت‌بندی می‌کند و در اختیار مدیران ارشد بازاریابی قرار می‌دهد (ملک اخلاق و همکاران، ۱۳۹۳: ۳).

استراتژی بازاریابی هوشمند منبعی از اتاق فکر و یا چشمه‌ای از خلاقیت، نوآوری و دانش‌آفرینی است. می‌تواند یک نقش تکامل یافته مهمی را برای موفقیت سازمانی بازی کند. از یک طرف، می‌تواند الزامات و ضروریات مورد نیاز برای مزایای رقابتی پایدار و از سوی دیگر، عملکرد تجاری برتر را با استفاده از مزایای رقابتی پایدار از طریق دارایی‌های بازاریابی به همراه داشته باشد. به کارگیری دارایی‌های بازاریابی (از قبیل اطلاعاتی و رابطه‌ای)، استراتژی بازاریابی هوشمند برای مشتریان ارزش‌آفرینی کرده و در پی آن، آن‌ها را خرسند می‌کند. به عنوان یک نتیجه، مشتریان خرسند و راضی به شرکت بازگشت می‌کنند و موفقیت را برای سازمان رقم می‌زند (آقازاده، ۲۰۱۵: ۱۱).

در مطالعات پیشین، محققان مختلفی بر روی مفهوم ارزش مطالعه انجام داده‌اند و با چندین رویکرد ابعادی مواجه شده‌اند. در این رویکرد و شیوه، بر پایه رویکردی کامل و ارزش ادراک‌شده در دو طبقه‌بندی اصلی دسته‌بندی شده‌است: پاسخ شناختی و اجزای مؤثر و کارآمد. ارزش شامل این سه ابعاد می‌شود: ارزش عملیاتی، ارزش اجتماعی و ارزش احساسی. در مطالعه دیگری، شش بعد به عنوان ارزش ادراک‌شده شامل ابعاد ارزش عملیاتی از قبیل نصب و راه‌اندازی، حرفه‌ای‌گری، کیفیت و قیمت؛ و ابعاد کارآمد و مؤثر شامل ارزش احساسی و ارزش اجتماعی ارائه شد. تغییرات اساسی در مدل‌های کسب‌وکار، رقابت را بین سازمان‌های مالی تشدید کرده و از طرفی در این میان از جمله مهمترین عوامل مؤثر به شمار می‌روند که شرکت‌ها را مجبور می‌کنند به سمت بازارگرایی حرکت کنند. به منظور دستیابی و کسب سودمندی از وفاداری بلندمدت و نیز رضایتمندی مشتریان، بانک‌های مالی باید بر روی احداث و حفظ رابطه بلندمدت با مشتریانشان تمرکز کنند. با نگاهی به ادبیات شرکت‌ها و مؤسسات، به این موضوع اشاره دارد که آن‌ها باید ارزش را در این سه حوزه ایجاد و مهیا کنند: ارزش سهامداران، ارزش کارکنان و ارزش ادراک‌شده توسط

<sup>1</sup> Doyle

مشتریان در واقع، خلق و ارائه ارزش یک منبع بعدی برای شرکت‌ها در جهت ایجاد مزیت رقابتی تلقی می‌گردد. با بررسی این رویکردها و دسته‌بندی‌های انجام شده برای ارزش، در رویکرد مشتق شده سهامداران، اصلی‌ترین طبقه‌بندی عبارتند از: ارزش درک شده توسط بازار، ارزش ادراک شده توسط مشتریان و ارزش سازمانی ادراک شده توسط رقبا و ارزش داخلی سازمانی (آقازاده، ۲۰۱۵: ۱۰).

در امتداد اجرایی شدن استراتژی بازاریابی هوشمند، سازمان‌ها باید شناسایی کنند که چگونه برای مشتریانشان ارزش مطلوب خلق کنند، آن‌ها را مجاب کنند و از طریق هوش بازاریابی آن‌ها را راضی نگه دارند و از طرفی سازمان‌ها باید قادر باشند مشتریان راضی از شرکت را به گونه‌ای تشویق کنند که از طریق بازاریابی رابطه‌ای بار دیگر به سمت شرکت برای خرید مجدد بازگردند. دور از انتظار نیست که سازمان بتواند به عملکرد عالی از طریق این فرایند دستیابی پیدا کند. وقتی ما درباره عملکرد عالی به عنوان یک نتیجه موفقیت آمیز استراتژی بازاریابی هوشمند است، تنها عملکرد مالی به ذهن خطور می‌کند، در حالی که عملکرد سازمانی فراتر از این است و ابعاد گوناگونی را در برمی‌گیرد که باید به آن‌ها پرداخته شود. عملکرد مالی به متغیرهای مالی از قبیل درآمد، سود، حجم فروش، و غیره اشاره دارد و دیگر ابعاد عملکرد سازمانی می‌توانند به عنوان عملکرد مشتری و بازار مورد توجه هستند (آقازاده، ۲۰۱۵: ۹).

### روش تحقیق

پژوهش حاضر از نظر هدف کاربردی است؛ چرا که به تحقیقات کاربردی تحقیقاتی هستند که نظریه‌ها قانون‌مندی اصول که در تحقیقات پایه تدوین می‌شود، برای حل مسائل استفاده می‌کند و از نظر نحوه گردآوری اطلاعات توصیفی از نوع پیمایشی است. در این پژوهش ابتدا از روش کیفی برای شناسایی استراتژی‌های بازاریابی هوشمند در بانک صادرات استفاده می‌شود. سپس از روش کمی برای اولویت‌بندی مؤلفه‌ها و متغیرها ارتباط مؤلفه‌ها و اعتبار مدل استفاده می‌کنیم؛ بنابراین طرح تحقیق مورد استفاده، آمیخته‌ای اکتشافی است.

با توجه به روش انجام تحقیق در این تحقیق، خبرگان در دو سطح مورد استفاده قرار گرفته‌اند:

- در سطح ۱ برای شناسایی استراتژی‌های بازاریابی هوشمند بانک صادرات از اعضای هیات علمی دانشگاه و مدیران بانک صادرات و صاحب‌نظر در خصوص بازاریابی هوشمند می‌باشند.
  - در سطح ۲ برای بررسی روابط، اولویت‌بندی و اعتبارسنجی مدل از کلیه مدیران و معاونان و کارشناسان بانک صادرات در استان شهر مشهد به تعداد ۵۶۴ به عنوان جامعه تحقیق می‌باشند.
- در این تحقیق با توجه به وجود دو جامعه آماری در دو سطح دو روش نمونه‌گیری به صورت زیر تعیین می‌گردد:
- انتخاب افراد جهت مصاحبه و اجرای تکنیک دلفی نیز به صورت کاملاً هدفمند و با توجه به تخصص و تجربه‌ی آن‌ها صورت گرفته است. لذا تعداد اعضای نمونه ۱۰ تا ۲۰ نفر (تا رسیدن به حد اشباع) برای مصاحبه از صاحب‌نظران حوزه بازاریابی هوشمند که از اساتید به نام دانشگاه می‌باشند، انتخاب شد.
  - در بخش کمی نیز با توجه به روش تحلیل داده‌ها برای اولویت‌بندی و بررسی روابط بین استراتژی‌ها مدل استراتژی بازاریابی هوشمند بانک صادرات و اعتبارسنجی مدل با توجه به جدول مورگان تعداد ۲۲۹ نفر به عنوان نمونه تحقیق به روش تصادفی ساده در نظر گرفته شده‌اند.
- در بخش کمی ابزار مورد استفاده پرسشنامه است برای نهایی‌سازی، تعیین وزن شاخص‌ها و اعتبارسنجی مدل از این ابزار استفاده اطلاعات را می‌توان به روش‌های گوناگون در مکان‌های مختلف و از انواع منابع گردآوری نمود. در این تحقیق، داده‌ها و اطلاعات مورد نیاز به در دو بخش کمی و کیفی جمع‌آوری شده است.

در بخش کمی برای تعیین روایی پرسشنامه‌ها از روایی صوری به منظور بررسی شکل و جمله‌بندی سؤالات و نسبت روایی محتوایی لاشه (CVR)<sup>۱</sup> و شاخص روایی محتوایی (CVI)<sup>۲</sup> جهت سنجش ضرورت سؤالات پرسشنامه بهره گرفته شده‌است. تمامی این روش‌ها روایی ابزار سنجش را مورد تأیید قرار دادند. جهت بررسی پایایی<sup>۳</sup> پرسشنامه مورد استفاده در تحقیق، از روش اجرای آزمایشی بر روی یک نمونه تصادفی استفاده شده است. به این ترتیب که ۳۰ پرسشنامه در میان افراد نمونه توزیع و سپس جمع‌آوری شده و در نهایت جهت تعیین پایایی پرسشنامه‌های مذکور از روش آلفای کرونباخ استفاده شده است. این روش منجر به تأیید پایایی پرسشنامه گردید.

## بحث و یافته‌های تحقیق

جهت تحلیل داده‌های حاصل از مصاحبه‌ها و ارائه تم‌های استخراج شده، ابتدا مصاحبه‌ها به دقت بررسی شده و مضامین<sup>۴</sup> کلیدی و مهم‌ترین شاخص‌های استراتژی بازاریابی هوشمند در بانک صادرات، طی سه مرحله کدگذاری باز، کدگذاری محوری و کدگذاری گزینشی، شناسایی و دسته‌بندی شدند. در مرحله کدگذاری باز با توجه به موضوع تحقیق، مفاهیم و ابعاد تعریف شاخص‌های استراتژی بازاریابی هوشمند در بانک صادرات به عنوان ابعاد و مفاهیم مبنا در نظر گرفته شد و سپس مفاهیم موجود در آن‌ها شناسایی و در قالب کدهای باز (مقوله اولیه) شناسایی و دسته‌بندی شدند. در مرحله کدگذاری محوری، مضامین فرعی به مضامین اصلی‌تر مرتبط شد. در مرحله کدگذاری گزینشی، مفاهیم و مضامین معرفی شده در مرحله قبل، به طور منظم و سیستماتیک، طبقه‌بندی و دسته‌بندی شد. در نهایت پس از انجام فرآیند تحلیل تم با روش گرنرد تئوری، تعداد ۴۰ تم فرعی از مفاهیم استخراج شده از مصاحبه‌ها، ایجاد شد که پس از بررسی و تجزیه و تحلیل، در نهایت ۳۳ تم اصلی به دست آمد. در مرحله چهارم پژوهشگران مجموع ۳۰ کد استخراج شده در مرحله سوم را در دو مرحله بررسی نموده و در نهایت آن‌ها را مورد تأیید قرار دادند. در مرحله پنجم (کدگذاری گزینشی) پژوهشگران تم‌های استخراج شده را در قالب ۱۰ مفهوم کلی و ۳۰ زیرمجموعه نام‌گذاری نمودند. در این مرحله کدهای استخراج شده در قالب ۱۰ مفهوم کلی شامل محیط داخلی، محیط خارجی، قابلیت‌های بازاریابی، مزیت رقابتی، دانش نوآورانه، استراتژی‌های بازاریابی هوشمند، اطلاعات بازاریابی، ارزش آفرینی، رضایت-مندی، بهبود عملکرد نام‌گذاری شدند.

جدول ۱. مقوله‌های اصلی استخراج شده از دسته‌های مفهومی

ردیف	مقوله اصلی	کدها	ردیف	مقوله اصلی	کدها
۱	محیط داخلی	شناسایی نیروهای خلاق و نوآور در داخل سازمان	۷	استراتژی‌های بازاریابی هوشمند	شناسایی فرصت‌ها و تهدیدهای بازار
		فرهنگ محیطی سازمانی			چشم انداز مشخص
		منابع و گزارشات اطلاعاتی			سیستم برنامه ریزی هوشمند
۲	محیط خارجی	سیاست‌های و قوانین حاکمیتی	۸	اطلاعات بازاریابی	سیستم تحقیقات بازار
		وضعیت رقبا			سیستم مدیریت اطلاعات
		ارزیابی رقبای، مشتریان و صنعت			نیروی انسانی متخصص
۳	سیستم مدیریت پایگاه داده‌ها	سیستم ذخیره سازی داده های پیچیده	۹	ارزش آفرینی	ایجاد رضایتمندی در مشتریان
		تدوین دستورالعمل‌های مرتبط			بهبود کیفیت محصول
		ذخیره سازی داده های پیچیده ساختار یافته			سیستم مدیریت ارتباط با مشتری
۴	مزیت رقابتی	فعالیت‌ها و عملکردها	۱۰	تحلیل هوشمند بازار	تحلیل رفتار مصرف کننده
		سیاست‌ها و استراتژی‌ها دقیق			انتخاب بازار هدف خارجی
		پایش و ارزیابی منظم سیستم			ارزیابی سطح انتظار مشتری
۵	دانش نوآورانه	بکارگیری دانش نو آورانه به عنوان منبعی	۱۱	ارتقای عملکرد	استمرار مداوم در ارائه با کیفیت

<sup>۱</sup>-Content validity Ratio

<sup>۲</sup>- Content validity Index

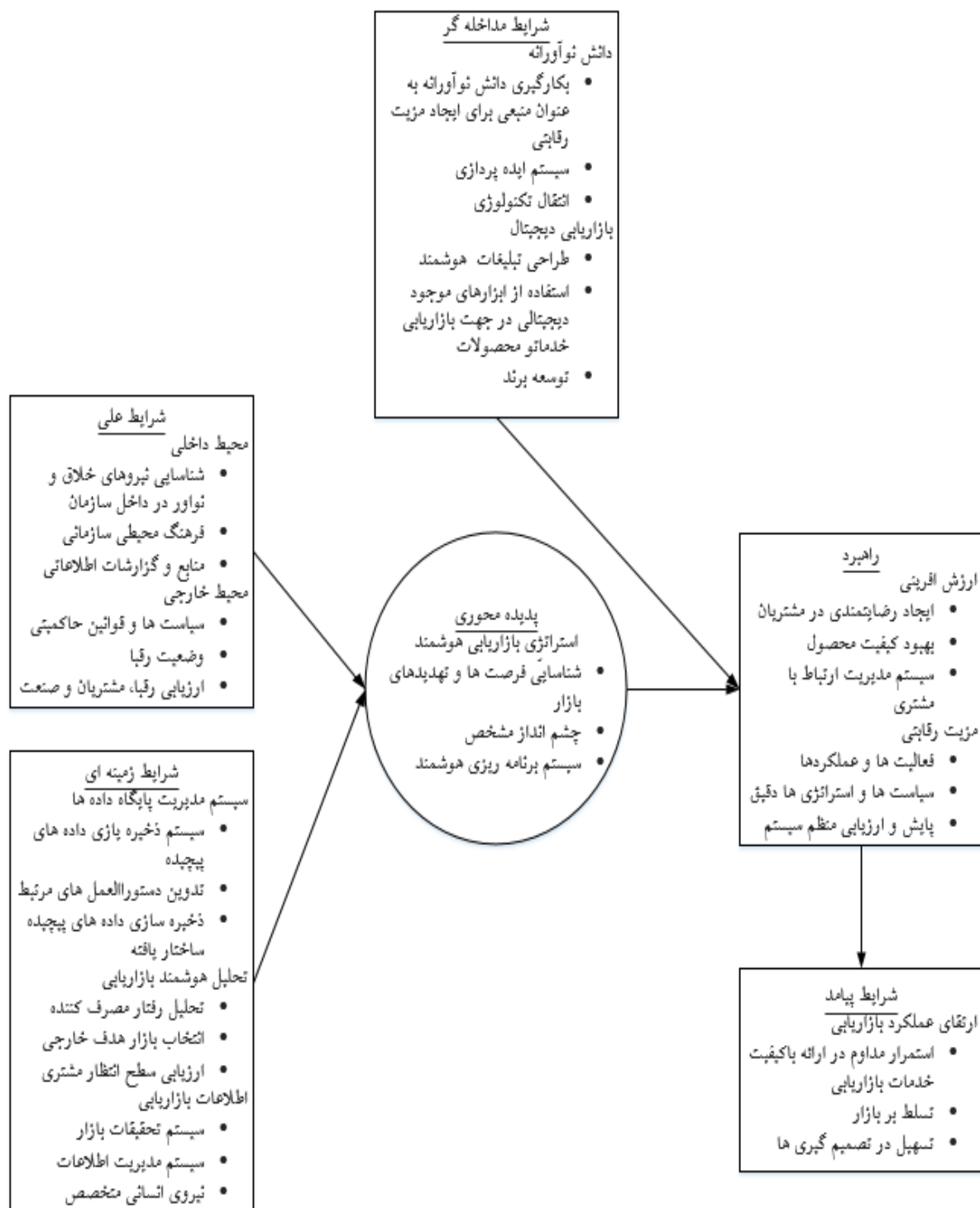
<sup>۲</sup>-Reliability

<sup>۴</sup>-Theme

خدمات بازاریابی	بازاریابی		برای ایجاد مزیت رقابتی	بازاریابی دیجیتال	۶
تسلط بر بازار			سیستم ایده پردازی		
تسهیل در تصمیم گیری ها			انتقال تکنولوژی		
			طراحی تبلیغات هوشمند		
			استفاده از ابزارهای موجود دیجیتالی در جهت بازاریابی خدمات و محصولات		
			توسعه برند		

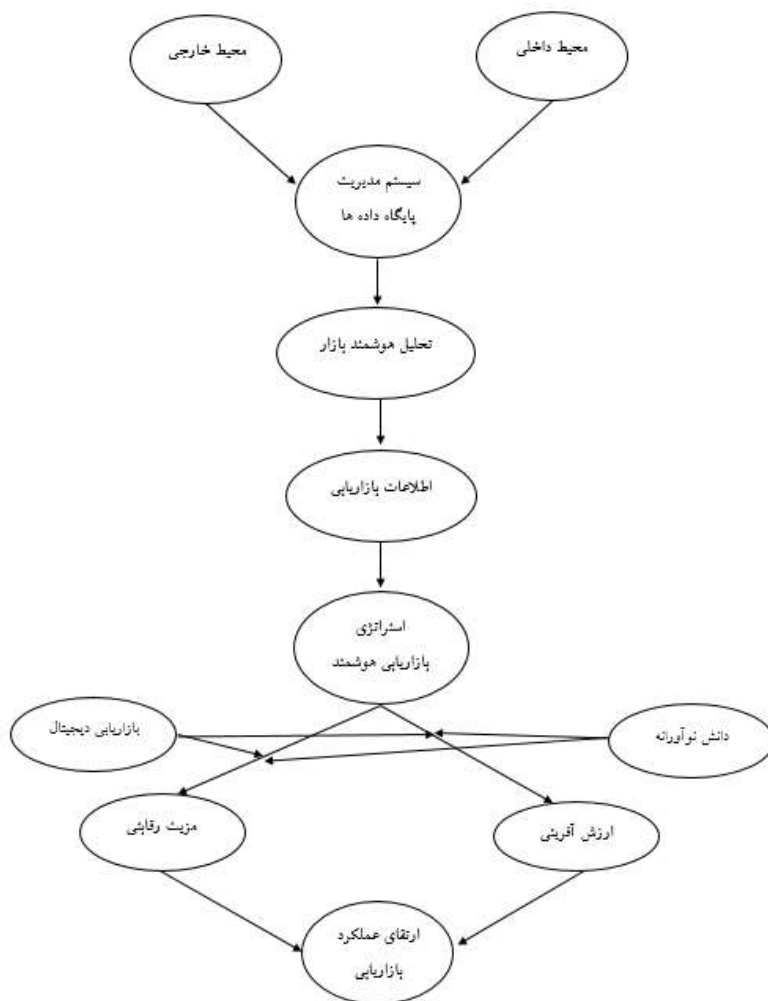
منبع: یافته‌های پژوهشگر

در نهایت مدل پارادایمی تحقیق به شکل زیر ترسیم شد:

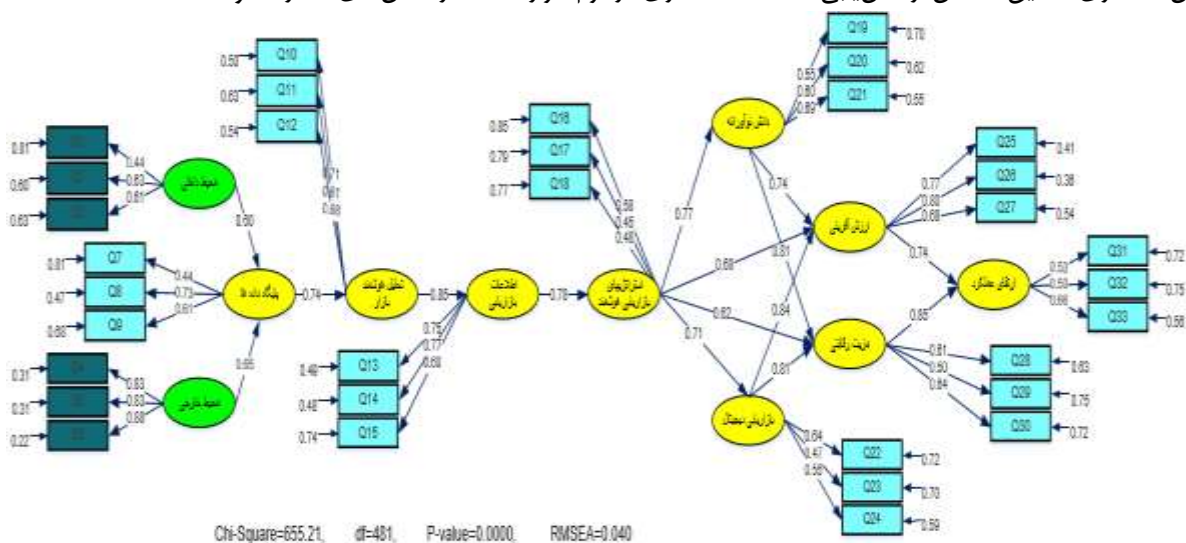




شکل ۱- مدل پارادایمی پژوهش منبع: یافته‌های پژوهشگر  
 بر این اساس، مدل استراتژی بازاریابی هوشمند با توجه به پارادایم تحقیق به شکل زیر می‌باشد:



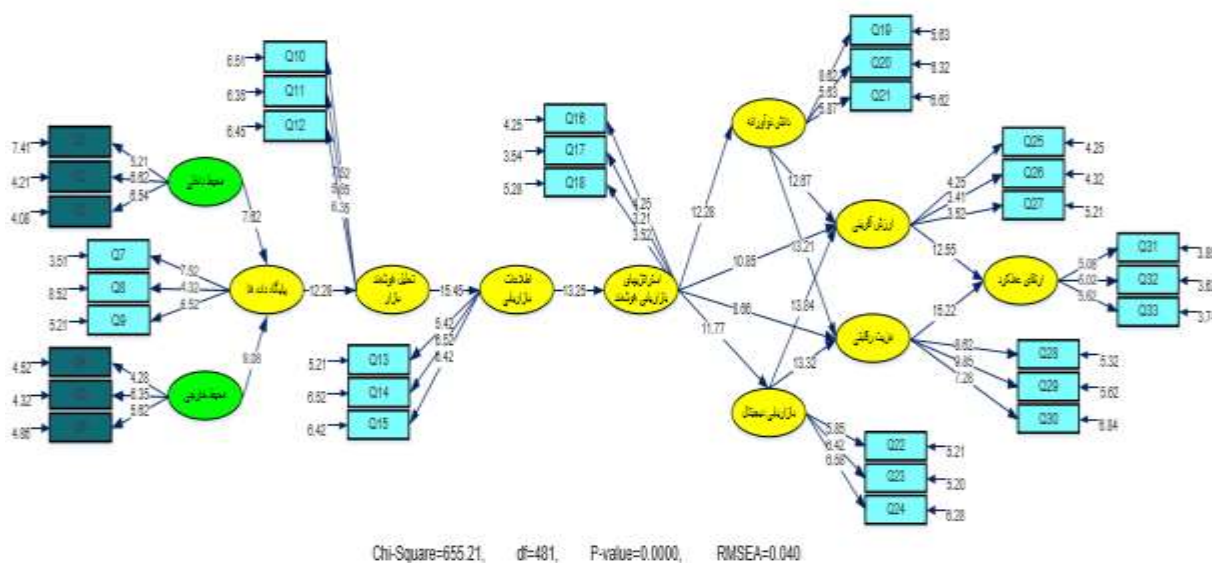
شکل ۲- مدل استراتژی بازاریابی هوشمند منبع: یافته‌های پژوهشگر  
 مدل ساختاری تحقیق، حاصل از مدلیابی معادلات ساختاری در نرم افزار Lisel در شکل‌های شماره ۳ و ۴ آمده است:



شکل ۳- مدل ساختاری تحقیق در حالت تخمین استاندارد منبع: یافته‌های پژوهشگر

همان طور که شکل ۳ مشاهده می‌شود در بین روابط، رابطه بین مزیت رقابتی و ارتقای عملکرد و همچنین رابطه بین تحلیل هوشمند بازار با اطلاعات بازاریابی (۰/۸۵) دارای بیشترین تأثیر می‌باشد؛ به عبارتی این نتیجه بیان می‌کند که مزیت رقابتی و تحلیل هوشمند بازار ۰/۷۳ درصد از واریانس مربوط به ارتقای عملکرد و تحلیل هوشمند بازار را تبیین می‌کند. همچنین کمترین رابطه مربوط به رابطه بین محیط داخلی و سیستم مدیریت پایگاه داده‌ها (۰/۶۰) که این نتیجه بیان می‌کند که محیط داخلی ۰/۳۶ درصد از واریانس سیستم مدیریت پایگاه داده‌ها را تبیین می‌کند. سایر روابط در شکل ۴ قابل مشاهده می‌باشد.

نتایج تخمین (قسمت زیرین شکل) حاکی از مناسب بودن نسبی شاخص‌ها دارد. با توجه به خروجی لیزرل مقدار  $X^2$  محاسبه شده برابر با  $600/21$  می‌باشد که نسبت به درجه آزادی  $394$  کمتر از  $3$  می‌باشد. پایین بودن این شاخص نشان‌دهنده تفاوت اندک میان مدل مفهومی با داده‌های مشاهده شده تحقیق است. مقدار  $RMSEA$ ،  $0/40$  و کمتر از  $0/08$  می‌باشد و نشان می‌دهد میانگین مجذور خطاهای مدل مناسب است. شاخص‌های  $AGFI$ ،  $GFI$  و  $NFI$  به ترتیب برابر با  $0/90$ ،  $0/90$  و  $0/90$  می‌باشد که نشان‌دهنده برازش بالایی می‌باشند.



شکل ۴- مدل ساختاری تحقیق در حالت میزان معناداری منبع: یافته‌های پژوهشگر

همان طور که در شکل ۴ مشاهده می‌شود تمامی ضرایب به دست آمده معنادار شده‌اند؛ زیرا مقدار آزمون معناداری بزرگ‌تر از  $1/96$  یا کوچک‌تر از  $1/96$  - نشان‌دهنده معنادار بودن روابط است.

## نتیجه‌گیری

بر اساس اطلاعات دموگرافیک نمونه‌ها که ارائه شده، از مجموع  $229$  نفر اعضای نمونه پژوهش حاضر  $31$  نفر زن و  $198$  نفر مرد بودند؛ از نظر تحصیلات نمونه با سطح تحصیلات کارشناسی  $88$  نفر، کارشناسی ارشد  $74$  نفر و دکترا  $67$  نفر؛ از نظر سابقه خدمت نمونه با سابقه کمتر از  $5$  سال  $32$  نفر،  $5$  تا  $10$  سال  $56$  نفر،  $11$  تا  $15$  سال  $88$  نفر و  $15$  سال به بالا  $53$  نفر و از نظر وضعیت شغلی  $31$  نفر مدیر،  $34$  نفر معاون و  $164$  نفر کارشناس بوده‌اند را به خود اختصاص داده‌اند که این آمار نشان‌دهنده‌ی این موضوع است که نمونه مورد نظر اکثراً مرد، با تحصیلات کارشناسی، با سابقه بین  $11$  تا  $15$  سال و کارشناس می‌باشند.

نتایج به دست آمده با تحقیقات انجام شده توسط پیش بهار و همکاران (۱۳۹۶)؛ خواجه‌پور و همکاران (۱۳۹۵)؛ محمدی و ثانی حیدری (۱۳۹۵)؛ فلاح دوست و همکاران (۱۳۹۵)؛ رشیدی و روشن (۱۳۹۴)؛ زمانی نوروزی و همکاران (۱۳۹۴)؛ آقازاده (۲۰۱۵) و ایگیاکمن (۲۰۱۴) همخوانی دارد.

نتایج حاصل از این تحقیق نیز می‌تواند مورد استفاده مدیرانی قرار گیرد که در محیط‌های پویا و پیچیده قرار دارند و به دنبال هوشمند نمودن فرایند بازاریابی می‌باشند. در استفاده از نتایج این تحقیق باید نکاتی را در نظر گرفت:

- به مدیران پیشنهاد می‌شود که به منظور متمایز نمودن خود در میدان رقابت و آگاهی از تغییرات محیط پویای کسب و کار از مدل پیشنهادی این تحقیق بهره گیرند. این مدل باعث گردآوری زمان مند اطلاعات مرتبط و پروردن سریع آن به منظور پشتیبانی از کل عملکرد کسب و کار می‌شود. مدیران بازاریابی با استفاده از این مدل، منابع مهم اطلاعاتی در محیط را شناسایی کرده و جلوتر از رقبا قرار می‌گیرند.
- پیشنهاد می‌شود مدیران بازار به مرتبط بودن اطلاعات کسب شده با نوع فعالیتشان، تداوم و تناوب در کسب اطلاعات از محیط بازار و مخصوصاً انتخاب منابع اطلاعاتی مناسب، توجه زیادی داشته باشند. انجام تحقیقات بازاریابی ناکارا و جمع‌آوری انبوهی از اطلاعات بعضاً غیرمفید، بهره‌وری فعالیت‌های تجاری را کاهش می‌دهند. در عین حال تلخیص اطلاعات و تفسیر دقیق آن‌ها؛ موجبات افزایش هوش عملیاتی را در سازمان فراهم می‌آورد که در راستا می‌تواند از نرم‌افزارهای خاص استفاده کرد.
- استخراج و تحلیل اطلاعات سازمان از داده‌های در دسترس توسط کارکنان، فرایندی است که برای سال‌های متمادی انجام شده و وظیفه جدیدی در سازمان‌ها به شمار نمی‌آید. اولین الگوریتم‌های شناسایی روندهای منظم و الگوها در پایگاه داده، از علم آمار و نظریه‌های احتمال نشأت گرفته‌اند؛ لذا لاجرم برای طراحی سیستم بازاریابی هوشمند برای بانک صادرات نیاز است از علم داده‌کاوی استفاده شود.
- با توجه به شیوع کرونا و تغییر رویکرد کسب و کارها در دنیا در بحث بازاریابی شایسته است مدیران تیمی خبره جهت طراحی و پیاده‌سازی بازاریابی هوشمند در بانک صادرات، تشکیل و با طراحی و پیاده‌سازی این سیستم مدلی موفق را در حوزه بازاریابی به صنعت بانکداری و سایر صنایع داخلی ارائه نمایند.
- به مدیران ارشد که وظیفه تصمیم‌گیری کلان را در بانک‌ها بر عهده دارند پیشنهاد می‌شود به منظور موفقیت در بازار و افزایش توان بازاریابی خود زمینه بروز خلاقیت که در جوی پرورش می‌یابد که کشف نظریه‌های جدید و راه‌های نوین انجام کار تشویق می‌شود لازم است مدیران با استفاده از روش‌های ایجاد خلاقیت همانند تحرک ذهنی فرآیند گروهی فرضی همتاسازی و تصمیم‌گیری گروه خلاق به رشد خلاقیت در افراد فعال در این صنعت کمک نمایند و با توجه به اینکه امور خلاقیت بیشتر اکتسابی هستند تا فطری می‌توان با آموزش‌هایی این توانایی را در سازمان افزایش داد.
- پیشنهاد می‌شود شرکت به کمک مشاوران روانشناسی اقدام به انجام تست‌های هوش مانند تست‌های گلمان ربون و کلر نموده و بدین‌وسیله افرادی را برای فعالیت‌های بازاریابی و با تجزیه تحلیل کانال‌های توزیع و حتی فرآیند بازارشناسی انتخاب کنند که از بهره هوشی بالایی برخوردار باشند.
- پیشنهاد می‌شود که سازمان‌ها با آموزش تکنیک‌های خلاقیت مانند بارش فکری، تکنیک اسکمیر، تکنیک شش کلاه تفکر و یا تکنیک چرا و... و همچنین با اعطای اختیار و آزادی عمل بیشتر به کارکنان خود، موجبات خلق و اجرا نمودن ایده‌های جدید را فراهم آورند.

## منابع

۱. پیش بهار، اسماعیل؛ فردوسی، رویا و حیاتی، باب اله. (۱۳۹۶). تدوین و اولویت‌بندی استراتژی‌های بازاریابی محصولات لبنی شرکت پگاه آذربایجان شرقی: کاربرد رهیافت تحلیل سلسله مراتبی، *اقتصاد کشاورزی (اقتصاد و کشاورزی)*، ۱۱(۴)، ۱-۱۹.
۲. پیرایش، رضا و علی پور، وحیده. (۱۳۹۱). بررسی رابطه‌ی بین هوش رقابتی و اثربخشی استراتژی‌های بازاریابی در بین بانک‌های دولتی و خصوصی استان زنجان. *مدیریت بازرگانی*، ۴(۱۲)، ۱-۱۸.
۳. خواجهی پور، امین؛ محمدی نژاد، امیر؛ شعبان زاده، مهدی و خوبیاری، حسن. (۱۳۹۵). انتخاب استراتژی بازاریابی رقابتی با به کارگیری فرایند تحلیل شبکه‌ای (مطالعه موردی: شرکت تعاونی تولیدکنندگان پسته رفسنجان). *اقتصاد کشاورزی و توسعه*، ۲۴(۹۴)، ۲۵-۴۳.

۴. درگی، پرویز. (۱۳۸۹). هوشمندی رقابتی و هوشمندی بازاریابی. تهران: انتشارات رسا.
۵. رشیدی، محبوبه و روشن، سیدعلی قلی. (۱۳۹۴). شناسایی و اولویت بندی استراتژی های بازاریابی و فروش شرکت سیمان سیستان. *پژوهش های مدیریت عمومی*، ۸(۲۹)، ۸۷-۱۰۶.
۶. روستا، احمد و ونوس، ابراهیمی. (۱۳۸۹). مدیریت بازاریابی. تهران، انتشارات سمت.
۷. زمانی نوروزی، زهرا؛ تجاری، فرشاد و اسمعیلی، محمدرضا. (۱۳۹۴). بررسی تأثیر استراتژی بازاریابی هوشمند بر رفتار خرید عقلایی در بازارهای اینترنتی محصولات ورزشی. *نهمین همایش بین المللی تربیت بدنی و علوم ورزشی*، تهران.
۸. علیقلی، منصوره و فاطمی، مجتبی. (۱۳۹۶). شناخت رابطه ابعاد هوش رقابتی و اثربخشی استراتژی بازاریابی (مطالعه موردی: شهرک صنعتی اردبیل). *مدیریت بازرگانی*، ۹(۲)، ۳۷۵-۳۹۴.
۹. فلاح دوست، مجتبی؛ روئین، رهام و بروجردی علوی، علیرضا. (۱۳۹۵). تأثیر فناوری اطلاعات در بازاریابی هوشمند با رویکرد مدیریت دانش مشتریان. *دومین کنفرانس بین المللی مدیریت و فناوری اطلاعات و ارتباطات*، تهران.
۱۰. فیاضی جولندان، آرزو. (۱۳۹۶). بررسی عملکرد بازرگانی در شرایط ناهمگونی قدرت با توجه به نقش بازاریابی و استراتژی های پورتر، *تحقیقات بازاریابی نوین*، ۷(۲)، ۱۵۳-۱۶۶.
۱۱. محمدی، حسین و ثانی حیدری، علیرضا. (۱۳۹۵). عوامل موثر بر انتخاب نوع استراتژی بازاریابی محصولات صنایع غذایی در مراحل رشد و معرفی محصول (مطالعه موردی شهر مشهد). *اقتصاد کشاورزی (اقتصاد و کشاورزی)*، ۱۰(۴)، ۱-۲۱.
۱۲. ملک اخلاق، اسماعیل؛ سلطانی، شیما و طاهرپرور، نسرين. (۱۳۹۳). تبیین و تحلیل و اولویت بندی مدل های سیستم بازاریابی هوشمند با استفاده از روش AHP، *بررسی های بازرگانی*، ۴۴، ۱-۱۵.

13. Aghazadeh, H. (2015). Strategic marketing management: achieving superior business performance through intelligent marketing strategy. *Procedia - Social and Behavioral Sciences*, 207, 125-134.
14. Fang, E., & Zou, S. (2009). Antecedents and consequences of marketing dynamic capabilities in international joint ventures. *Journal of International Business Studies*, 40(5), 742-761.
15. Igbaekemen, O. G. (2014). MARKETING INTELLIGENCE AS A STRATEGIC TOOL FOR COMPETITIVE EDGE. *British Journal of Marketing Studies*, 2(5), 17-34.
16. Krush, M. T., Sohi, R. S., & Saini, A. (2015). Dispersion of marketing capabilities: Impact on marketing's influence and business unit outcomes. *Journal of the Academy of Marketing Science*, 43(1), 32-51.
17. Morgan, N. A., Slotegraaf, R. J., & Vorhies, D. W. (2009). Linking marketing capabilities with profit growth. *International Journal of Research in Marketing*, 26(4), 284-293.
18. Mu, J. (2015). Marketing capability, organizational adaptation and new product development performance. *Industrial Marketing Management*, 49, 151-166.
19. Vorhies, D. W., Orr, L. M., & Bush, V. D. (2011). Improving customer-focused marketing capabilities and firm financial performance via marketing exploration and exploitation. *Journal of the Academy of Marketing Science*, 39(5), 736-756.
20. Wang, E., Klein, G., & Jiang, J. J. (2007). IT support in manufacturing firms for a knowledge management dynamic capability link to performance. *International Journal of Production Research*, 45(11), 2419-2434.
21. Wilden, R., & Gudergan, S. P. (2015). The impact of dynamic capabilities on operational marketing and technological capabilities: Investigating the role of environmental turbulence. *Journal of the Academy of Marketing Science*, 43(2), 181-199.
22. Wiles, M. A., Morgan, N. A., & Rego, L. L. (2012). The effect of brand acquisition and disposal on stock returns. *Journal of Marketing*, 76(1), 38-58.